

TWINLINE.

PRODUCT EXPANSION

VENTILATION

Trustworthy Turbines: TWINLINE extraction ventilators

Compact and powerful heat and fume extractors

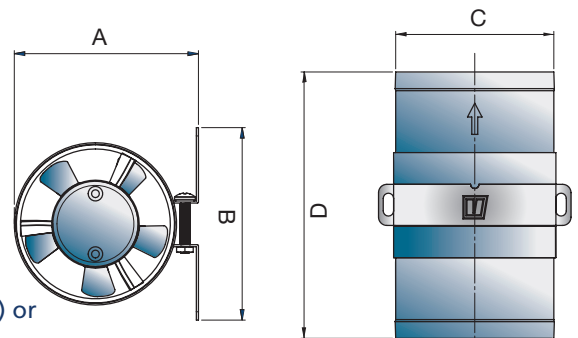
VETUS expands the TWINLINE in-line extraction ventilator series with two 24 V versions. The TWINLINE series is rated 'ignition protected', making it safe to use when a petrol/gasoline engine is installed or in spaces where combustible gases can accumulate. These dangerous fumes can be extracted safely with the TWINLINE ventilators, so you can fire up your engine with peace of mind. The TWINLINE series is also perfectly suitable to simply extract the heat from your engine room, making it a valuable addition to diesel and electric powered boats as well.

Versatile and easy to install

These powerful ventilators have a very compact housing, allowing installation in the most confined spaces. A versatile ventilator series suitable for a wide variety of applications! TWINLINE ventilators are not designed for continuous use and should be linked with the vessels power system. They are available from stock. Note: VETUS does not recommend using any type of extraction ventilator to provide air to the main engines.

Highlights

- Ignition protected to ISO 8846, ideal for application in engine rooms
- Waterproof to IP67
- Complies with ISO 9097 Marine Standard
- Capacity (depending on size) from 5 to 7 m³ per minute
- Static pressure: 36 mm H₂O
- Very compact dimensions
- Available in both 12 V and 24 V
- Hose (BLHOSE) may be connected to Scirocco (TWINLINE Ø 76 mm only) or Typhoon (TWINLINE Ø 76 mm & Ø 102 mm) shell ventilator



Item	Description	Volt - Amp.*	A (mm)	B (mm)	C (mm)	D (mm)	Capacity (m ³ /min)	I.D. Hose Ø (mm)	Weight (kg)
TWINLINEA	In-line Ventilator	12 V - 2,8 A max.	88,5	92,5	76	128	5	76	0,35
TWINLINEB	In-line Ventilator	12 V - 8,0 A max.	116	119	101,6	180	7	102	0,50
TWINLINEC	In-line Ventilator	24 V - 1,6 A max.	88,5	92,5	76	128	5	76	0,35
TWINLINED	In-line Ventilator	24 V - 5,0 A max.	116	119	101,6	180	7	102	0,50

* When using hose 10 mtr.

3 year warranty, unique in the market!

All VETUS boat equipment products come with a 3 year warranty. Because of our long experience, careful choice of materials and stringent quality controls, we have the confidence to offer this warranty. For advice, installation and service you can always rely on our worldwide network of VETUS dealers.

